

New turning device from Primodan 20% discount on orders received until 28. Februray 2010

Primodan Food Machinery A/S has developed a new turning device for use in dispensers for lids on our automatic filling and dosing machines.

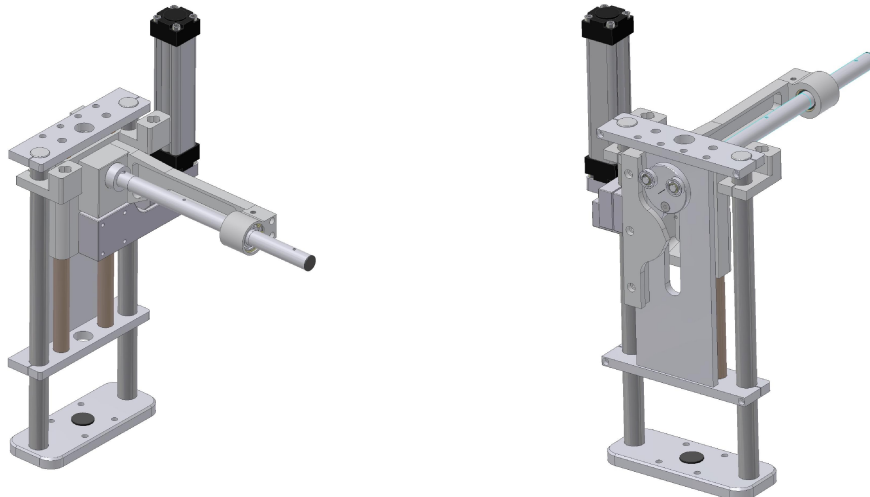
The turning device is of significantly simpler design than earlier models with turn plate. The new turning device gives following advantages:

- Increased stability
- easier adjustment
- virtually no maintenance
- heavily reduced noise level

The new device is installed on all machines produced today and forward.

We would like to offer our existing customers the ability to upgrade from the old to the new model, with all the benefits associated therewith, including longer uptime and significant reduced adjusting time and repair costs.

In the expectation that several customers will order the new turning device, we create a series in a number, which means we can reduce our normal prices for turning devices by 20% for a limited period.



The price of a turning device for a 1 track Rot-O-Min, including:

- turning device
- customized reverse shaft
- custom base plate for lid magazine
- air cylinder with reed contacts
- engineering hours and document updates

starts at:

€ 6.285,-

When replacing the new turning device it typically leads to:

- to be made a new base plate of the lid magazines
- entire turning device (including turning shaft) will be replaced
- vacuum heads can be reused - perhaps some of the other equipment too
- if adjustable spindle upright is present, it can usually be renovated, modified and reused

Be expected 3 to 5 hours for a technician for the assembly and adjustment.

Normal rate for a technician is € 87, - pr. hour (excluding transports, food and lodging).

All prices indicated are our standard prices ex works Holbaek, Denmark.

We hope the new turning device has caught your interest.

We are ready with further information and shall gladly send you a customer-specific quotation.

Sincerely yours

PRIMODAN FOOD MACHINERY A/S
Jan Mortensen

Main phone: +45 5943 1479
Direct phone: +45 5945 4352
E-mail: jm@primodan.dk

