

PRIMA

Filling and Sealing Machine

Primodan
Food Machinery A/S



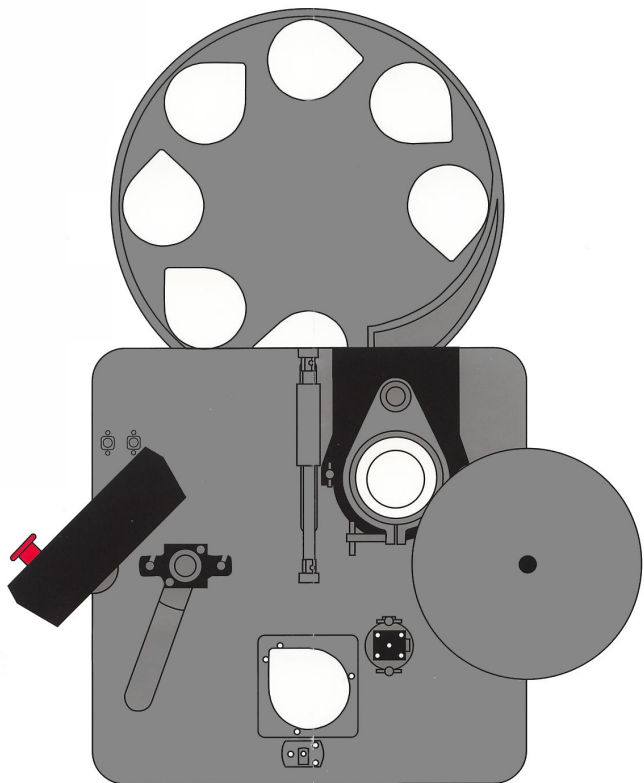
PRIMA

HIGH FLEXIBILITY COMBINED WITH HIGH EFFICIENCY

The PRIMA is designed for filling of liquid and semi-liquid products. All parts in contact with the product are made of stainless materials. Depending upon the capacity desired and the size and shape of the containers to be filled, the PRIMA machines are available, with capacities up to 2.400 Cups/ hour.

The machines will fill and seal ready made cups and bottles of various sizes.

For machines built for several cup-sizes, the turntables are supplied with changeable cassettes for the various sizes. The machinery design ensures that the time used for format-changing is minimized.



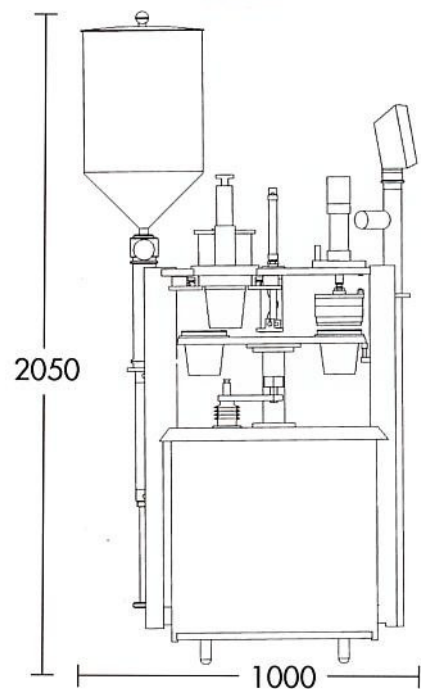
For filling of bottles, the PRIMA filling and sealing machine can be supplied with in- and outfeed conveyors and a star wheel instead of a turntable.

Operation of the machine is controlled by a PLC and a control panel with a display showing all relevant data.

The machine is equipped with a volumetric dosing device for accurate dosing of liquid and semi liquid products.

Machine optionals

- Cup lifting device used for filling of soft butter or margarine.
- Insulated hopper.
- Agitator in hopper.
- Level control in hopper for start/ stop of a hopper feed pump.
- Change parts for a second cup size including cup magazine, lid magazine and one set of cassettes for the turntable.
- Protection covers and built-in securities as required by the EC regulations
- Conversion kit for changing the machine from piston filling to ice cream filling, complete with ice cream flow filler.
- Conversion kit for changing the machine from ice cream filling to piston filling
- Spare parts for a 2 year working period.
- Additional service-contract.



Primodan reserves the right to make alterations without prior notice.